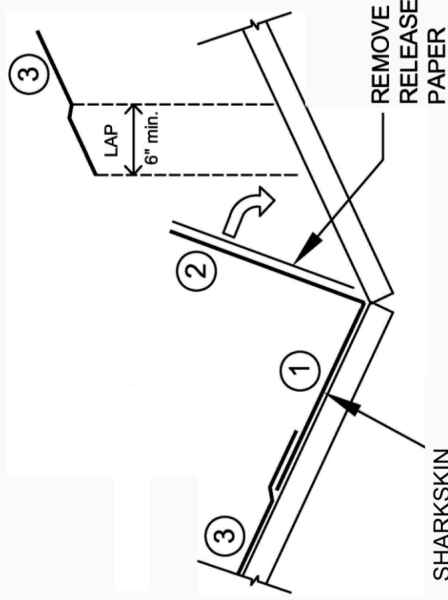
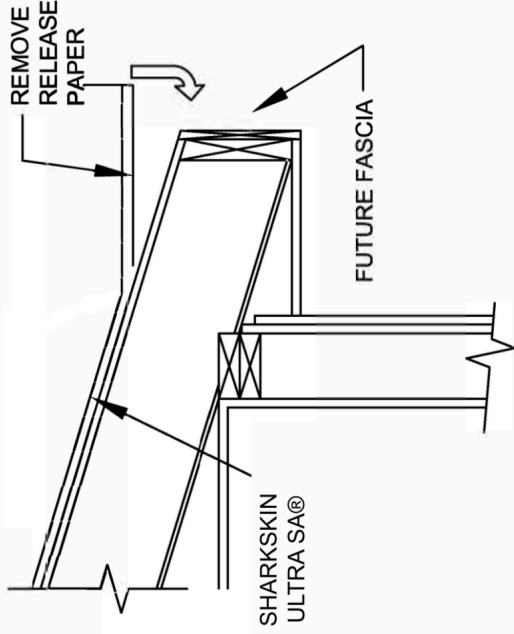


VALLEY



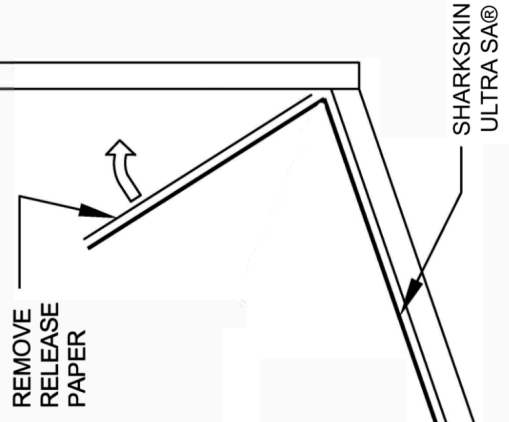
- A. INSTALL IN ORDER AS SHOWN BY NUMBERS
- B. REMOVE RELEASE LINER
- C. ALIGN & INSTALL SHARKSKIN ULTRA SA®

LEAVE SHARKSKIN ULTRA SA® UNDERLAYMENT PRIOR TO FASCIA



- A. REMOVE RELEASE LINER
- B. ALIGN SHARKSKIN ULTRA SA® ALONG EAVE
- C. REMOVE RELEASE LINER FROM UPPER HALF OF SHARKSKIN ULTRA SA® AND APPLY TO ROOF DECK
- D. REMOVE RELEASE LINER ALONG EAVE AFTER FASCIA IS INSTALLED OR FOR FUTURE TIE-IN

FRONT WALL TO ROOF DECK



- A. REMOVE RELEASE LINER
- B. REMOVE RELEASE LINER FROM SHARKSKIN ULTRA SA® AND APPLY TO ROOF DECK
- C. REMOVE REMAINING RELEASE LINER AND APPLY TO WALL
- D. EXTEND SHARKSKIN ULTRA SA® ON THE WALL SHEATHING ABOVE THE HIGHEST EXPECTED LEVEL OF SNOW AND ICE

NOTES:

- A. VISIT [WWW.SHARKSKINROOF.COM](http://WWW.SHARKSKINROOF.COM) TO REVIEW THE COMPLETE LINE OF ROOF UNDERLAYMENTS, APPLICATIONS AND INSTALLATION INSTRUCTIONS



USE OF RELEASE LINER

SHARKSKIN ULTRA SA® - ALL WEATHER BARRIER

Drawing: SSUSA - 12

Scale: Not to Scale

Created: 02/24/2019

Supersedes: 07/23/2014